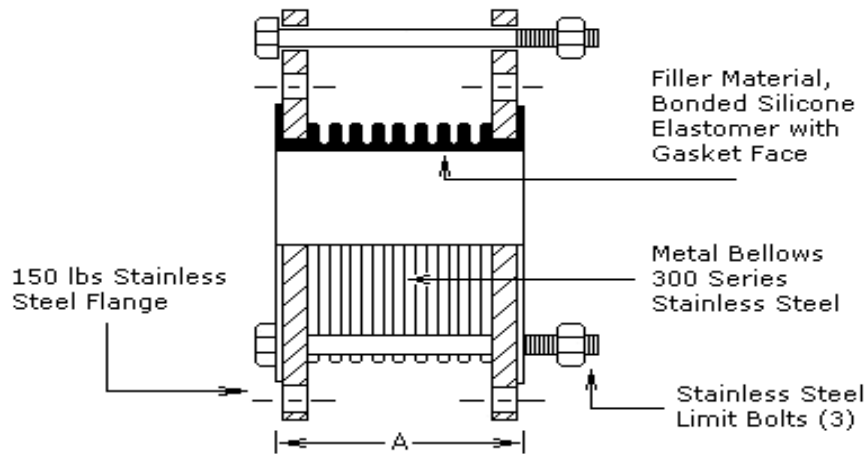


MDC MODEL **TRC-SAN** TIE ROD SANITARY APPLICATION EXPANSION JOINT / PUMP CONNECTOR



MATERIALS OF CONSTRUCTION

BELLOWS	T304 SS 2-ply
FLANGES	Stainless Steel, 150# drilling
TIE RODS	Stainless Steel
COMPRESSION SLEEVES	T304 SS
LINING	Silicone

ALL SIZES RATED FOR:

150 psig	1034 kPa
----------	----------

AVAILABLE SERIES :

- non-lined standard length (TRC)

QTY	MDC P/N	SIZE (IN.)	FACE TO FACE "A" (IN.)	AXIAL MOVEMENT		LATERAL DEFLECTION (IN.)	APPROX. WEIGHT (LBS.)	NOTES
				COMP. (IN.)	EXT. (IN.)			
	1.50"TRC-SAN	1-1/2	4	1/4	1/4	3/8	11	
	2.00"TRC-SAN	2	4	1/4	1/4	3/8	12	
	2.50"TRC-SAN	2-1/2	4	1/4	1/4	3/8	16	
	3.00"TRC-SAN	3	6	3/8	1/4	3/8	18	
	4.00"TRC-SAN	4	6	1/2	1/4	3/8	28	
	5.00"TRC-SAN	5	6	1/2	1/4	3/8	34	
	6.00"TRC-SAN	6	6	1/2	1/4	3/8	43	
	8.00"TRC-SAN	8	8	1/2	1/4	3/8	63	
	10.00"TRC-SAN	10	8	1/2	1/4	3/8	93	
	12.00"TRC-SAN	12	8	1/2	1/4	3/8	120	

NOTES:

* Piping system must be properly anchored and guided for expansion joints to operate properly.

Engineering Specification:

For pipe sizes 1.50" to 12.00" diameter provide a Sanitary metal expansion joint / pump connector with 2-ply stainless steel bellows with a bonded Silicone, smooth-bore liner. Flanges and Tie Rods shall be supplied in Stainless Steel. Units shall be Clean-in-Place (CIP). The maximum operating temperature should be 300 deg F.

Approved Models:

"TRC-SAN" Sanitary Joint as manufactured by Mark David Canada Inc., Montreal, Que., Canada.

CUSTOMER (COMPANY)	
CUSTOMER (INDIVIDUAL)	
CUSTOMER TEL / FAX	
PROJECT	
ENGINEERING COMPANY	
CUSTOMER REFERENCE	
MDC REFERENCE	
MDC DWG. NO.	20743
	2008-01-03 JMP



MARK DAVID CANADA INC.

2011-A Lucien Thimens
Montreal, QC., H4R 1K8, Canada
TEL.: (514) 748-8770, FAX: (514) 313-5697