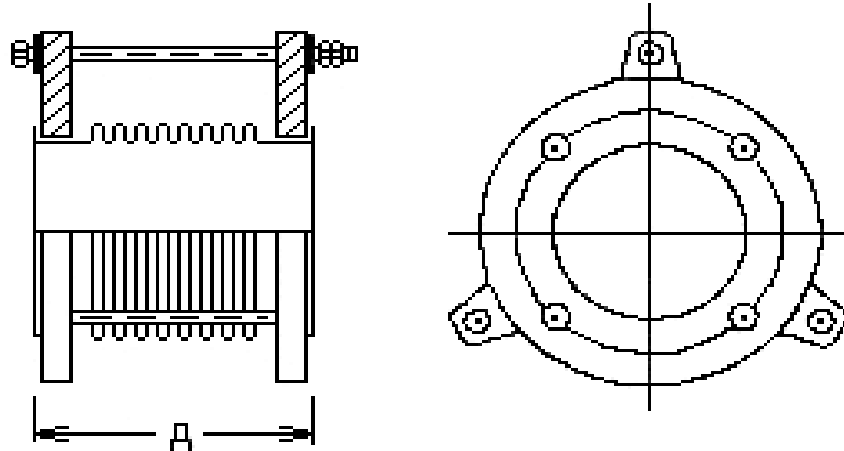


**MDC MODEL TRC TIE ROD  
EXPANSION JOINT / PUMP CONNECTOR  
WITH 150 LBS DRILLED STEEL PLATE FLANGES EACH END**



**MATERIALS OF CONSTRUCTION**

BELLOWS	T304 SS 2-ply
FLANGES	Carbon Steel, 150# drilling
TIE RODS	Carbon Steel
COMPRESSION SLEEVES	T304 SS

**ALL SIZES RATED FOR:**

225 psig	750 deg F
----------	-----------

**AVAILABLE FEATURES :**

- \* Shorter length series
- \* Sanitary Series - Silicone Lined
- \* Teflon® Lined Series

QTY	MDC P/N	SIZE (IN.)	FACE TO FACE "A" (IN.)	AXIAL MOVEMENT		LATERAL DEFLECTION (IN.)	APPROX. WEIGHT (LBS.)	NOTES
				COMP. (IN.)	EXT. (IN.)			
	2.00"TRC	2"	6"	1"	0.375"	0.25"	13	
	2.50"TRC	2.5"	6"	1"	0.375"	0.25"	15	
	3.00"TRC	3"	6"	1"	0.375"	0.25"	18	
	4.00"TRC	4"	6"	1"	0.375"	0.25"	22	
	5.00"TRC	5"	6"	1"	0.375"	0.25"	33	
	6.00"TRC	6"	6"	1"	0.375"	0.25"	42	
	8.00"TRC	8"	6"	1"	0.375"	0.25"	63	
	10.00"TRC	10"	8"	1"	0.375"	0.25"	82	
	12.00"TRC	12"	8"	1"	0.375"	0.25"	110	
	16.00"TRC	16"	8"	1"	0.375"	0.25"	148	
	18.00"TRC	18"	8"	1"	0.375"	0.25"	170	

**NOTES:**

- \* TRC Series Bellows Pump Connectors are sized to replace standard Single Sphere rubber expansion joints in high temperature applications.
- \* Piping system must be properly anchored and guided for expansion joints to operate properly.
- \* CRN # OD2524.5234670189

CUSTOMER (COMPANY)	
CUSTOMER (INDIVIDUAL)	
CUSTOMER TEL./ FAX.	
PROJECT	
ENGINEERING COMPANY	
CUSTOMER REFERENCE	
MDC REFERENCE	
MDC DWG. NO.	20713

2008-01-03  
JMP



**MARK DAVID CANADA INC.**

2011-A Lucien Thimens  
Montreal, QC., H4R 1K8, Canada  
TEL.: (514) 748-8770, FAX: (514) 313-5697